

DT-200-4C-OT

4 COLOR OVAL TRACK PAD PRINTING MACHINE



DT-200-4C-OT
four color model
w/ oval track

- Membrane switch control panel
- Electro Pneumatic controlled
- 14 station Cam locked indexer
- Festo brand pneumatics
- Easily accessible pad stroke adjustments
- X/Y/R/Z adjustable work table
- X/Y/R cliché adjustability
- Smooth & quiet machine performance

DT-200-4C-OT

4 COLOR OVAL TRACK PAD PRINTING MACHINE

The **DECO TECH** model **DT-200-4C-OT** pad printing machine is equipped with a 14 station oval track indexer that has 4 cam locking stations in each of the four print stations and this Oval Track (OT) indexed machine is well suited for printing small parts in 1 to 4 colors. The **DT-200-4C-OT** features a membrane switch panel which is easy to operate and all parameters functions can be programmed from there. The pad stroke controls are easily accessible on the right side of the machine with numerical calibration and the **DT-200-4C-OT** pad printer comes with a solid built welded steel machine base with adjustable floor levelers and a height adjustable work table. Inside the machines base you have room to store your pad printing supply items. The **DT-200-4C-OT** is equipped with four 90mm ink cups and with four 100 x 300mm individually adjustable (X/Y/R) cliché holders that are adjustable for precise artwork alignment on-press. The clichés can be made from; photo polymer, thin steel (0.5mm), thick steel (10mm) or laser etched varieties and **DECO TECH** provides a full array of consumable supplies, technical support & product training for our **DT SERIES** of pad printing machinery. The **DECO TECH** model **DT-200-4C-OT** pad printing machine is backed with a one year warranty against defects in manufacturing.

MACHINE SPECS

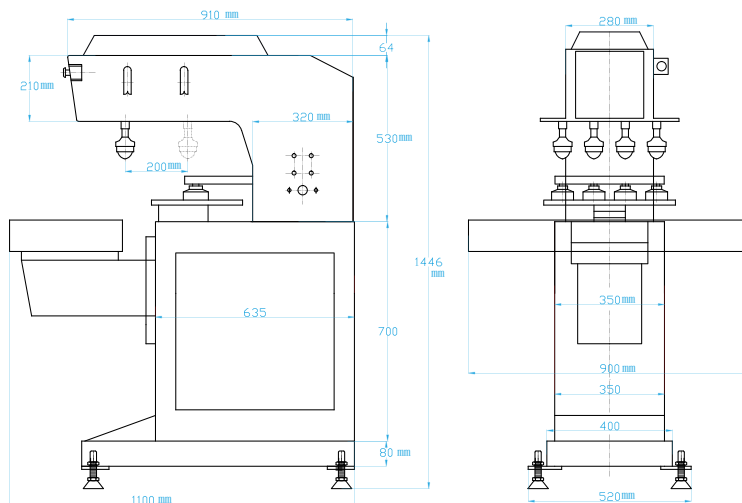
Printing capacity:	Up to 1,200/hr
Drive:	Electro-pneumatic
Printing force:	1,559N
Vertical pad stroke:	200mm (7.87")
Air requirements:	5 bar (72.5psi)
Air consumption:	3 cfm @ 80psi
Control system:	12V PCB
Main voltage:	110V 60Hz
Control voltage:	12 VDC
Weight:	220 kg (484 lbs)
Origin:	China

PRINT SPECS

Plate size:	100 x 300mm (5.12"x11.81")	
Plate thickness:	0.5mm or 10mm	
Ink cup sizes (I.D.):	82mm (3.23")	Print sizes (diameter):
		75mm (2.95")

*Specifications are subject to change without prior notification

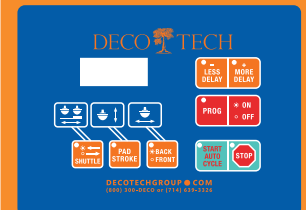
DIMENSIONS



Four stations with X/Y/R adjustment



Easy to use operator interface



Pad Stroke Controls



Pneumatic Flow Controls



© Deco Technology Group, Inc. All rights reserved.

DECO TECHNOLOGY GROUP, INC.

1040 SEGOVIA CIR

PLACENTIA, CA 92870

(800) 300-DECO

(714) 639-3326

(714) 639-2261

DECOTECHGROUP.COM

